



MRL ELEVATOR

Less Space, Less Energy, More Flexibility.

SHANTI TECH INDUSTRIES is Elevator Kit Manufacturer catering to the Indian Elevator market.

We provide our clients with the quality Elevator Kit at affordable prices for passenger, commercial, home, automobile, freight and luxury applications.

Our factory in Kathwada, Ahmedabad caters to a wide range of elevator parts all manufactured under one roof.

We manufacture Car Frames - Standard and Cantilever Type, Cabins - Powder Coated, Stainless Steel, Glass, Wooden and Panoramic Cabins and a range of Elevator Accessories like Buffer Springs, Rope Bolts, Brackets, Guide Clip, Pit Ladder and many more items.

Our design team maintains very rigorous safety standards across all our product range to get our clients the best products.

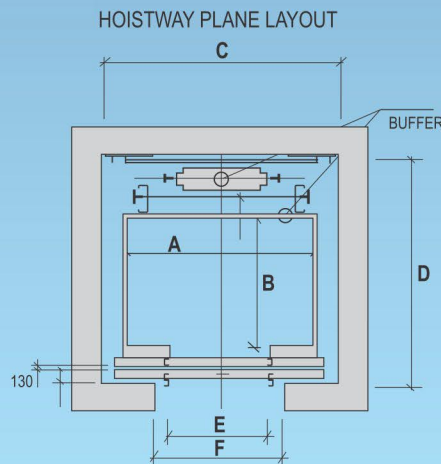
We see to it that our manufacturing team uses only standard raw materials and manufacturing techniques to create safe and reliable elevator Kit.

- Roomless Passenger Elevator take less space, which enables you to effectively utilize the construction space.
- They save the construction time, materials and costs.
- The combined design of machine room together with the hoist-way and highly effective installation ensures affect freeness to the engineering caused by the installation of elevators.



Environment
Power Saving
Low Noise
Quality
Compact Designs

Gearless Machine for MRL Elevators



Dimensional Details : Machine Roomless Elevator

Capacity		Car Inside		Lift Well		Clear Entrance	Clear Opening At Landing	
PERSON	KGS	A	B	C	D	E	F AUTO DOOR	F MANUAL TELESCOPIC
6	408	1200	900	1800	1400	700	780 / 2100	1450 / 2350
8	544	1300	1100	1900	1600	800	880 / 2100	1600 / 2350
10	680	1300	1300	1900	1800	800	880 / 2100	1600 / 2350
13	884	1600	1400	2200	1900	900	980 / 2100	1700 / 2350

All Dimensions are in mm size.